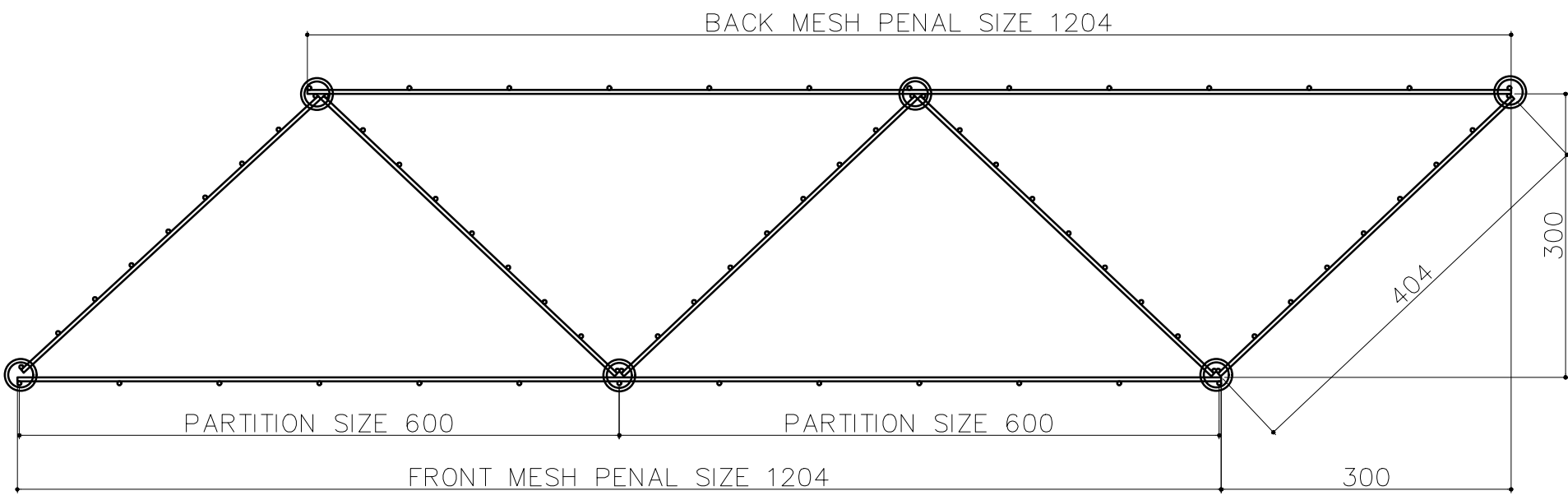
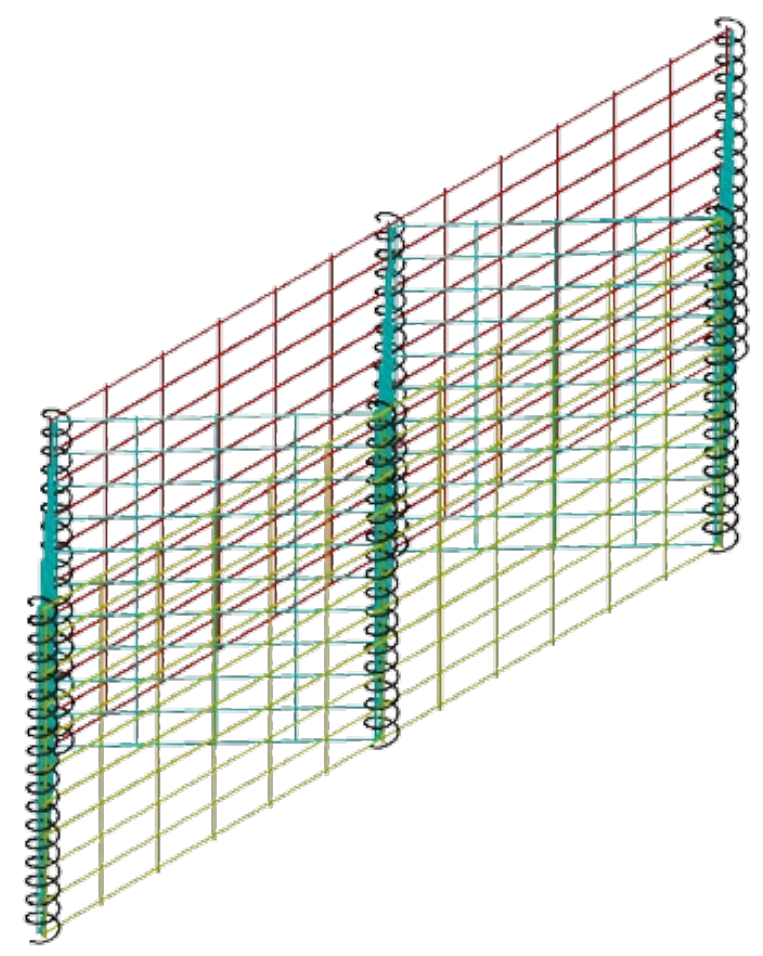



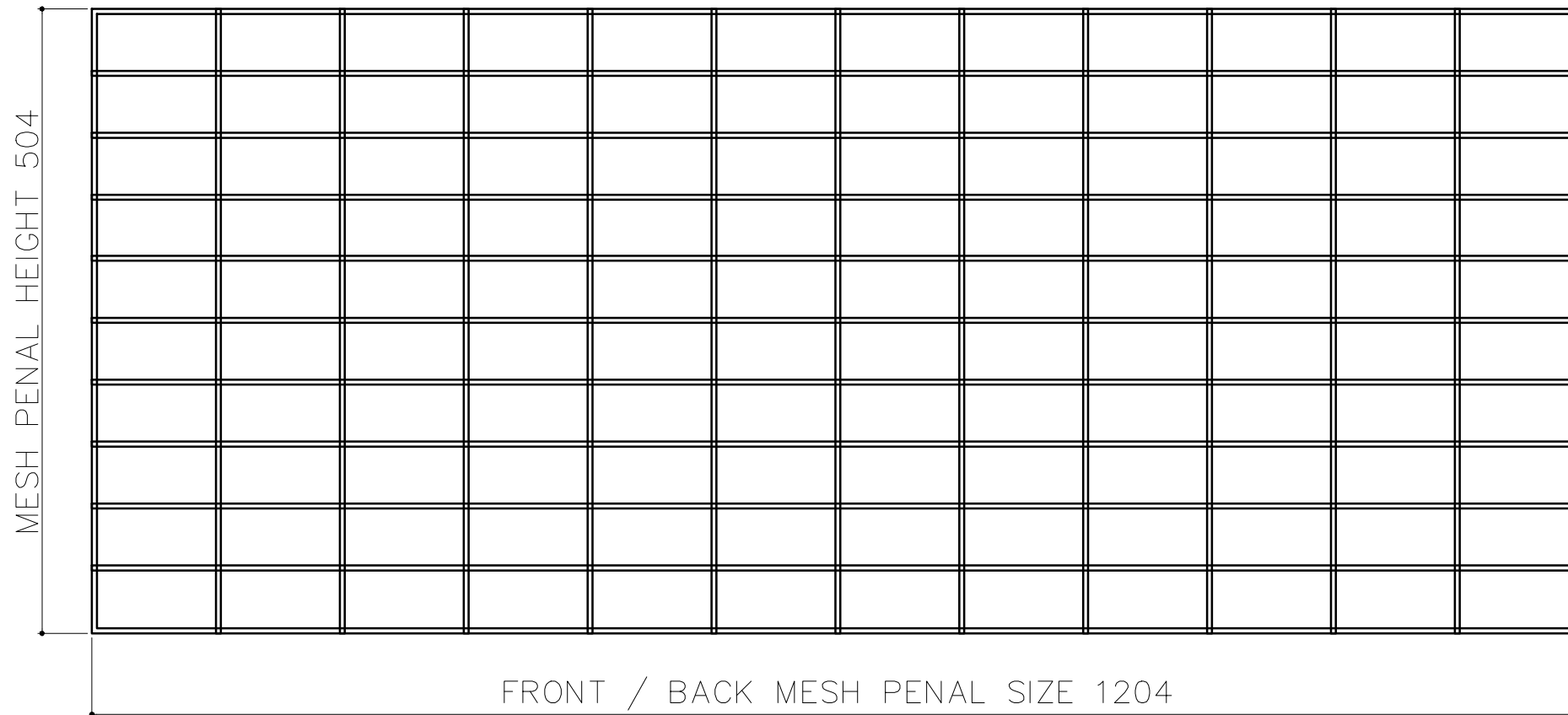
TYPICAL ELEVATION



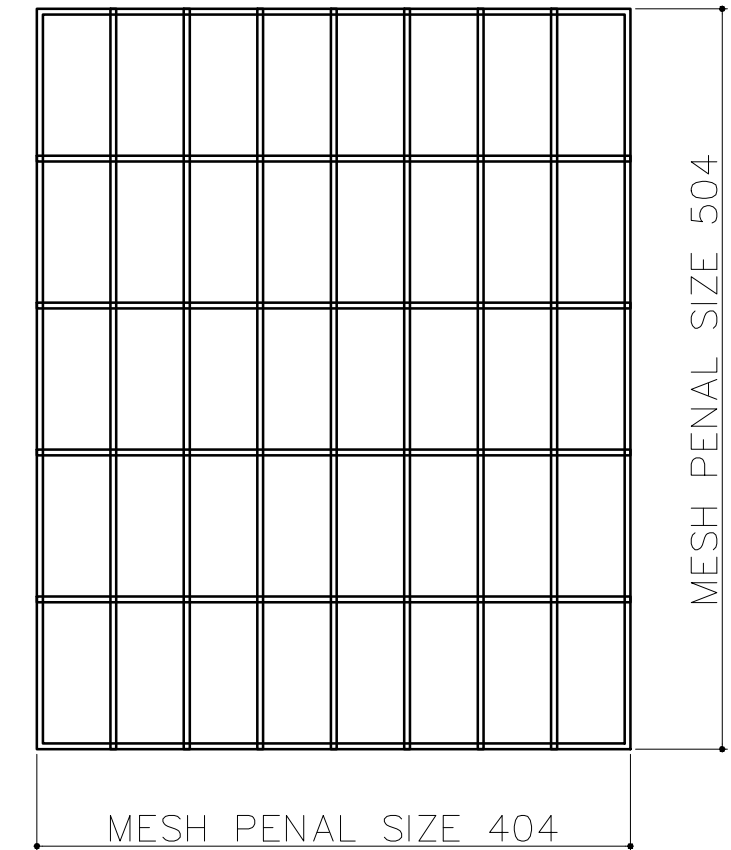
TOP / PLAN

BOM				
MARK	PROFILE	QTY	LENGTH	WIDTH
P-6.1	ASSEMBLY	1	-	-
FRONT BACK MESH.P	WELDED MESH	2	1204	504
PARTITION MESH.P	WELDED MESH	5	404	504

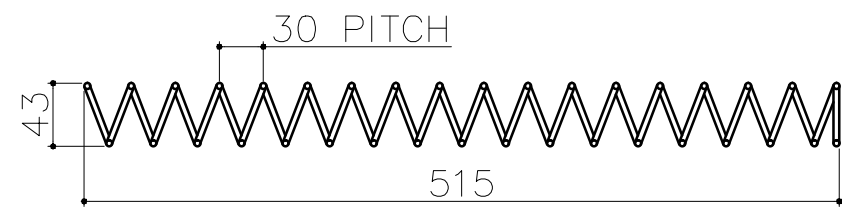
DESIGNED BY: MAAZ	SUPPLIER:  BUILDING 3824, STREET NIRA, 2ND INDUSTRIAL CITY, 14338 RIYADH SAUDI ARABIA +966 11 474 8635			
DRAWN BY: HUMAYON				
CHECKED BY: ADT				
APPROVED BY: MJI				
DRAWING TITLE: GABION P6 (V-6.1)		PAPER SIZE: A3	SHEET NO.: 01 / 01	
DRAWING NO.: HITECH-WB105-GEN-01		REV. NO.: A	SCALE: AS SHOWN DATE: 7-Jan-24	




FRONT / BACK MESH PENAL
QTY -02 (MESH WIRE Ø4MM)
MESH SIZE 100X50

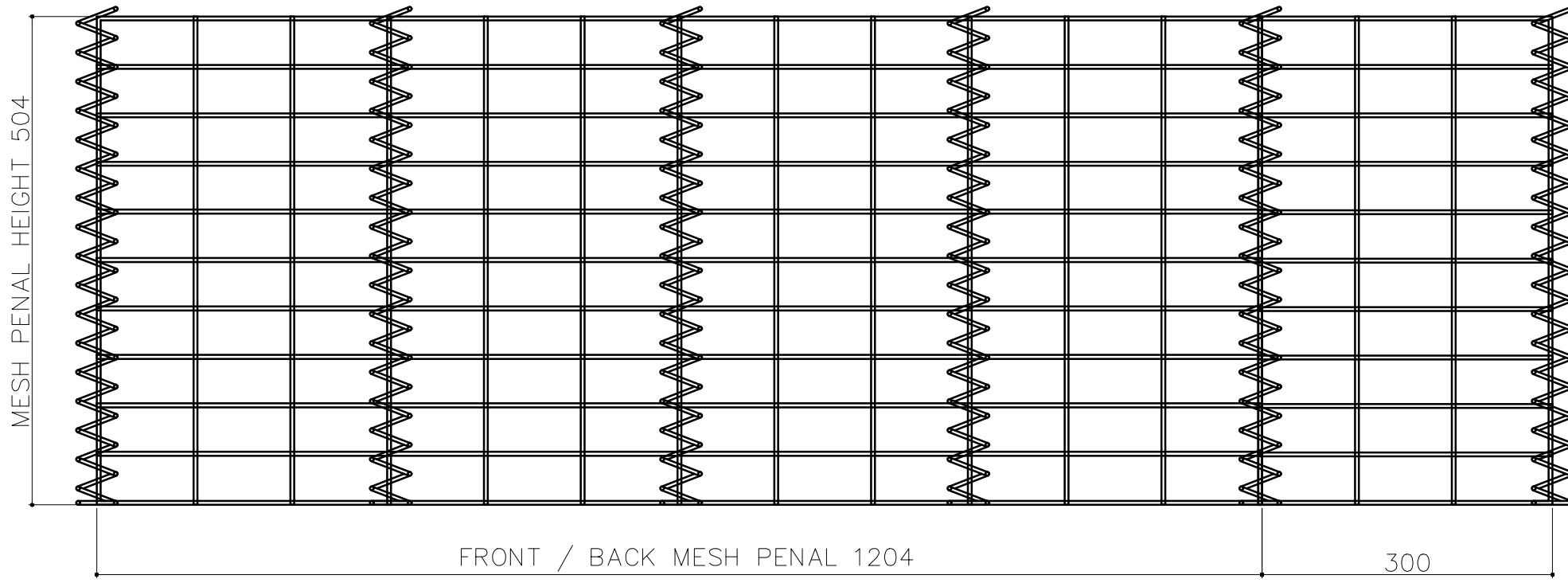


PARTITION MESH PENAL
QTY -05 (MESH WIRE Ø4MM)
MESH SIZE 100X50

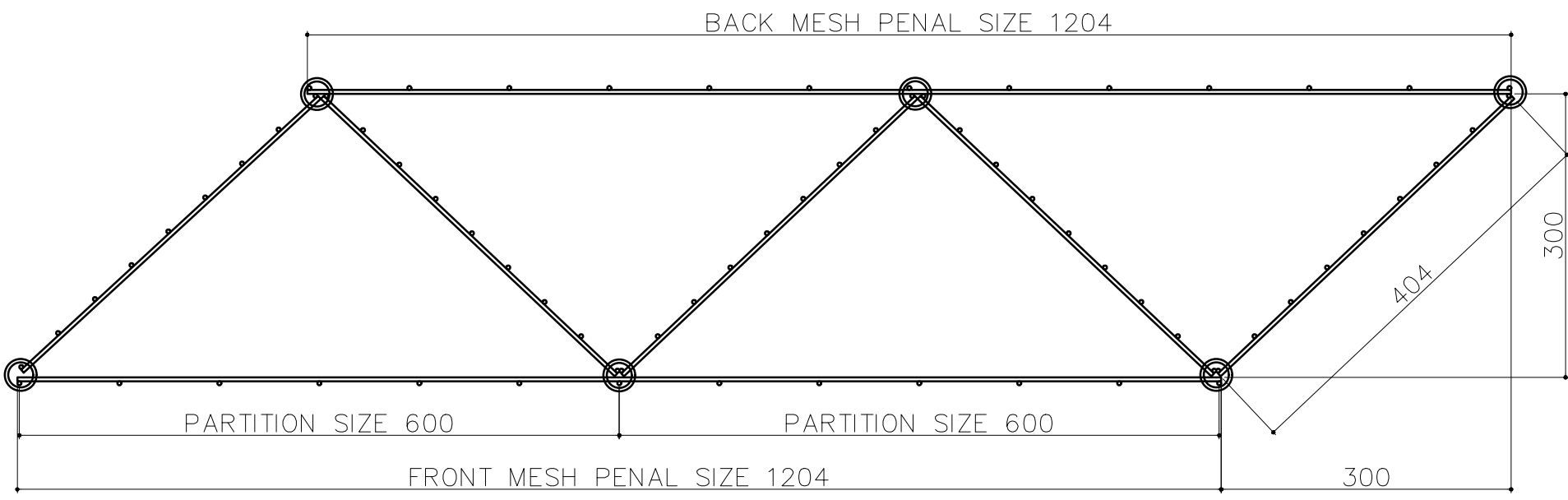
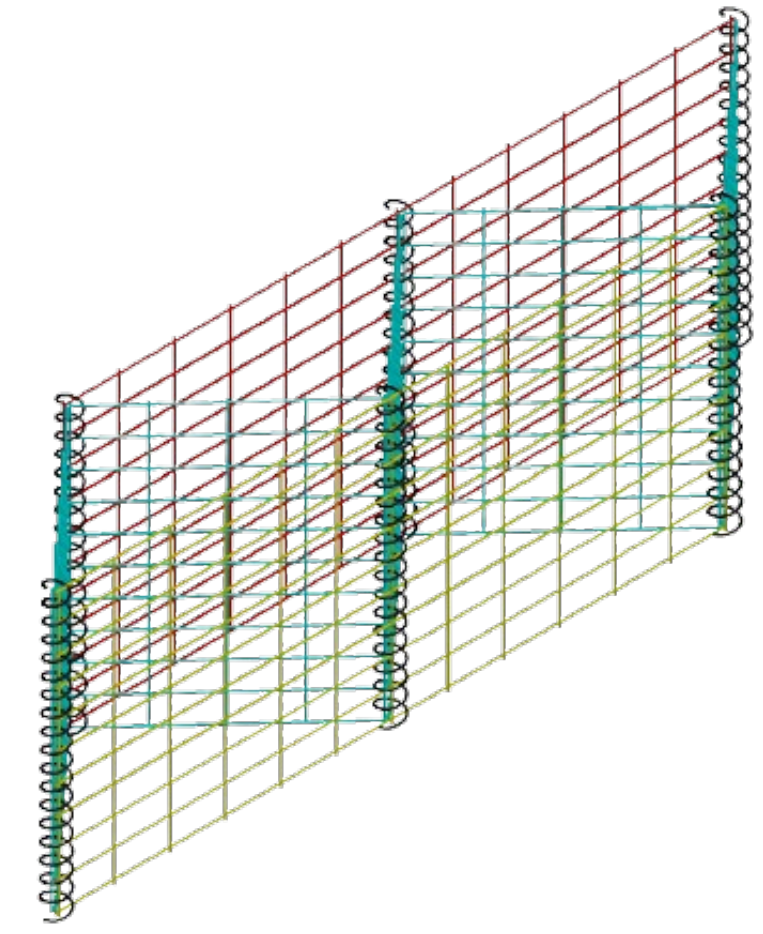


ID-35 OD-43
COIL LENGTH -1010
COIL WIRE Ø4MM
NUMBER OF TURN 18
PITCH-30MM (QTY-06)

DESIGNED BY: MAAZ	SUPPLIER:  BUILDING 3824, STREET NIRA, 2ND INDUSTRIAL CITY, 14338 RIYADH SAUDI ARABIA +966 11 474 8635	
DRAWN BY: HUMAYON		
CHECKED BY: ADT		
APPROVED BY: MJI		
DRAWING TITLE: GABION P6 (V-6.1)	PAPER SIZE A3	SHEET NO. 01 / 01
DRAWING NO.: HITECH-WB105-GEN-01	REV. NO. A	SCALE: AS SHOWN DATE: 7-Jan-24



 **TYPICAL ELEVATION**



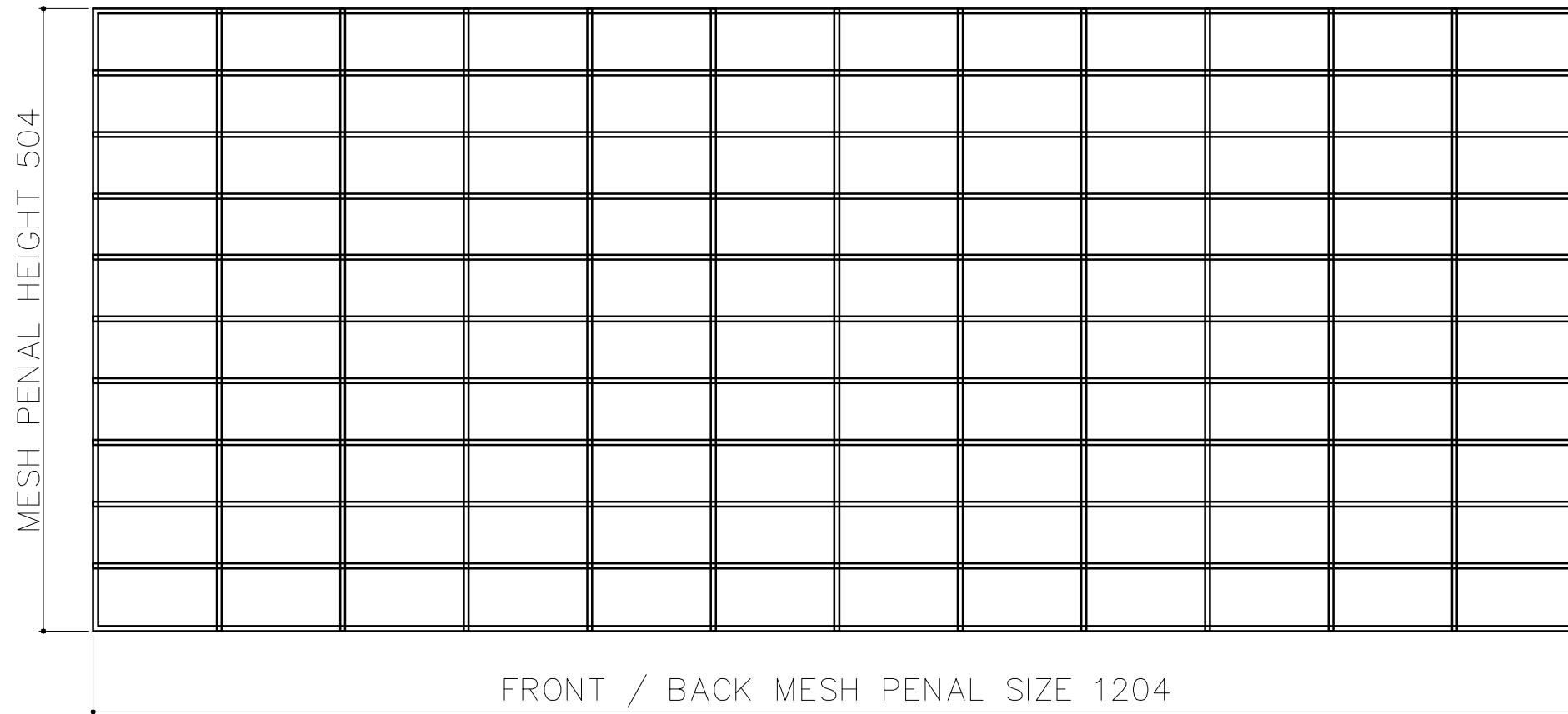
 **TOP / PLAN**

BOM				
MARK	PROFILE	QTY	LENGTH	WIDTH
P-6.2	ASSEMBLY	1	-	-
FRONT BACK MESH.P	WELDED MESH	2	1204	1004
PARTITION MESH.P	WELDED MESH	5	404	1004

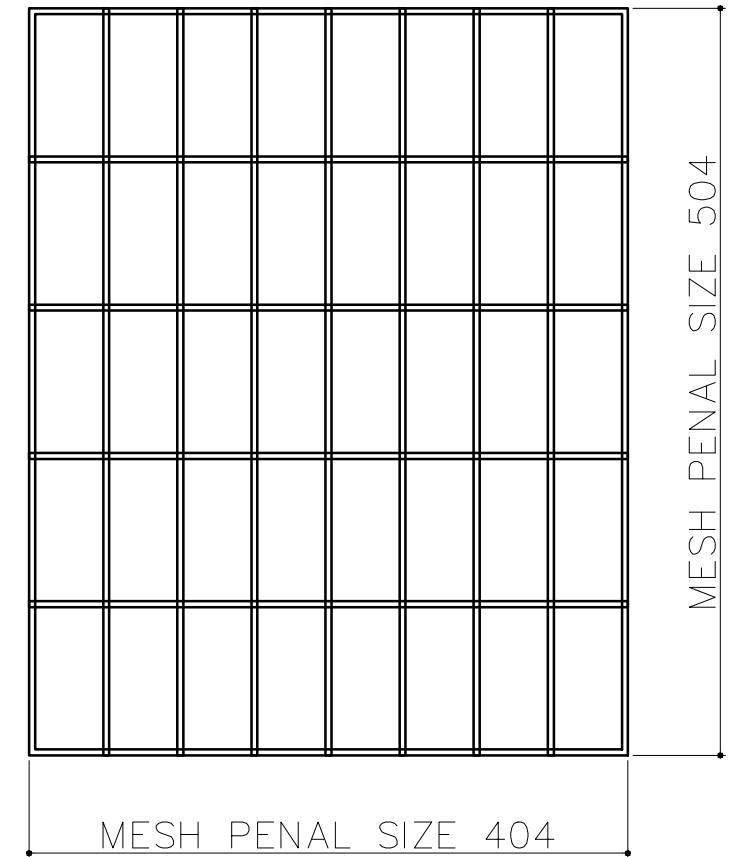
DESIGNED BY: MAAZ
 DRAWN BY: HUMAYON
 CHECKED BY: ADT
 APPROVED BY: MJI

SUPPLIER:  **HITECH**
 FENCE AND STEEL FACTORY
 BUILDING 3824, STREET NIRA, 2ND INDUSTRIAL CITY,
 14338 RIYADH SAUDI ARABIA +966 11 474 8635

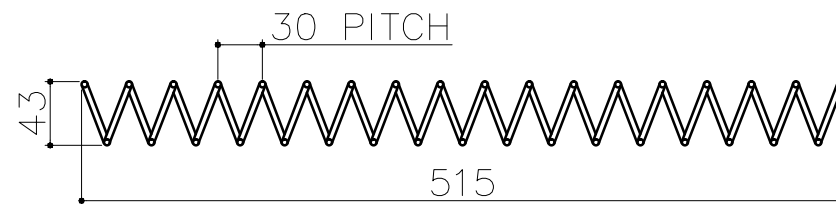
DRAWING TITLE: GABION P6 (V-6.2)	PAPER SIZE A3	SHEET NO. 01 / 01
DRAWING NO.: HITECH-WB105-GEN-01	REV. NO. A	SCALE: AS SHOWN DATE: 7-Jan-24



FRONT / BACK MESH PENAL
QTY -02 (MESH WIRE Ø4MM)
MESH SIZE 100X50



PARTITION MESH PENAL
QTY -05 (MESH WIRE Ø4MM)
MESH SIZE 100X50



ID-35 OD-43
COIL LENGTH -1010
COIL WIRE Ø4MM
NUMBER OF TURN 18
PITCH-30MM (QTY-06)

DESIGNED BY: MAAZ	SUPPLIER:	
DRAWN BY: HUMAYON		
CHECKED BY: ADT		
APPROVED BY: MJI	BUILDING 3824, STREET NIRA, 2ND INDUSTRIAL CITY, 14338 RIYADH SAUDI ARABIA +966 11 474 8635	
DRAWING TITLE: GABION P6 (V-6.2)	PAPER SIZE A3	SHEET NO. 01 / 01
DRAWING NO.: HITECH-WB105-GEN-01	REV. NO. A	SCALE: AS SHOWN DATE: 7-Jan-24